

Z-PB4 v1

2.4 GHz BLE/Zigbee digital input interface

Interfaccia pulsanti wireless Mesh Network 2.4 GHz Bluetooth LE/Zigbee compatibile. Gestisce 4 ingressi digitali configurabili per pulsanti ed interruttori standard. Antenna integrata. Alimentazione 230Vac.

Bluetooth LE/Zigbee compatible Mesh Network 2.4 GHz wireless push-button interface. Manages 4 configurable digital inputs for standard pushbuttons and switches. Integrated antenna. 230Vac power supply.



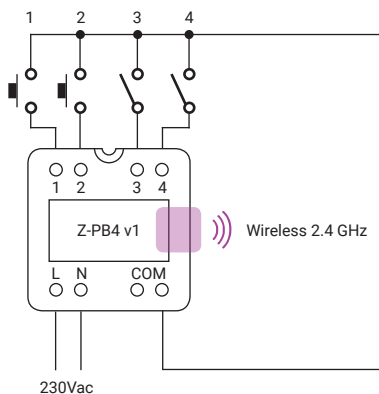
Modelli | Models

Model	Code	Description
Z-PB4 v1	ZQ20-08R0	2.4 GHz BLE/Zigbee digital input interface

Specifiche tecniche | Technical specifications

Input power	Mains 100-240 Vac 50/60 Hz, power consumption < 1,5W
2.4 GHz Bluetooth radio interface	Bluetooth LE. Output power +10 dBm. Transmission range 10 m line-of-sight. <i>BLE and Zigbee are active at the same time.</i>
2.4 GHz Zigbee radio interface	Zigbee Home Automation protocol. Output power +10 dBm. Transmission range 20 m line-of-sight, extension by Mesh Network. <i>BLE and Zigbee are active at the same time.</i>
Digital Input	4 contacts not isolated from mains for push buttons or switches
LED indicator	Activity (led is beside the dipswitch)
Connector block	Screw terminals, cross section 1,5-2,5 mm ²
Operating Environment	Ambient temperature (ta) -10°C to +45°C. Relative humidity 10% to 95%
Housing	Plastic IP20
Dimensions	41x47x20 mm
Weight	30 g
Standards & Legislation	Approvals: RED 2014/53/EU. EMC directive 2014/30/EU. LV directive 2014/35/EC. RoHS II directive 2011/65/EU, 2015/863/EU. WEEE directive 2012/19/EU Safety: EN 61347-1: 2015; EN61347-2-11: 2001 EMC: EN 61000-3-2: 2014; EN 61000-3-1: 2013, EN55015: 2013/A1: 2015; EN 61547: 2009 ETSI EN 300-220-2 V3.1.1, ETSI EN 301-489-1 V2.1.1; ETSI EN 301-489-3 V2.1.1

Cablaggio | Wiring



Cablaggio pulsanti: massima lunghezza 3m, cavo 0,5-1,5 mm²

Button wiring: maximum length 3m, cable 0.5-1.5 mm²

Procedura di reset Zigbee

Per dissociare il nodo Zigbee dalla rete di appartenenza è possibile agire sui dipswitch, quando il dispositivo è alimentato, cambiando la posizione di entrambi per 6 volte, mantenendo ogni posizione per almeno 2 secondi.

Zigbee reset procedure

To dissociate the Zigbee node from the network it belongs to, it is possible to act on the dipswitches, when the device is powered, changing the position of both 6 times, holding each position for at least 2 seconds.