

# Z-NODE v2 Z-NODE-32

## 2.4 GHz BLE/Zigbee to DALI Wireless Lighting Controller with I/O connector

Controller wireless Mesh Network 2.4 GHz Bluetooth LE/Zigbee compatibile. Gestisce in regolazione fino a 4 o 32 driver standard DALI. Antenna integrata. Alimentazione autosensing da 230Vac oppure da linea DALI secondo le specifiche DALI2 D4i. Connettore I/O per sensore esterno.

Bluetooth LE/Zigbee compatible Mesh Network 2.4 GHz wireless controller. Manages in regulation and power up to 4 or 32 standard DALI. Integrated antenna. Autosensing power supply between 230Vac or DALI bus according to D4i DALI2 specification. I/O connector for external sensor.



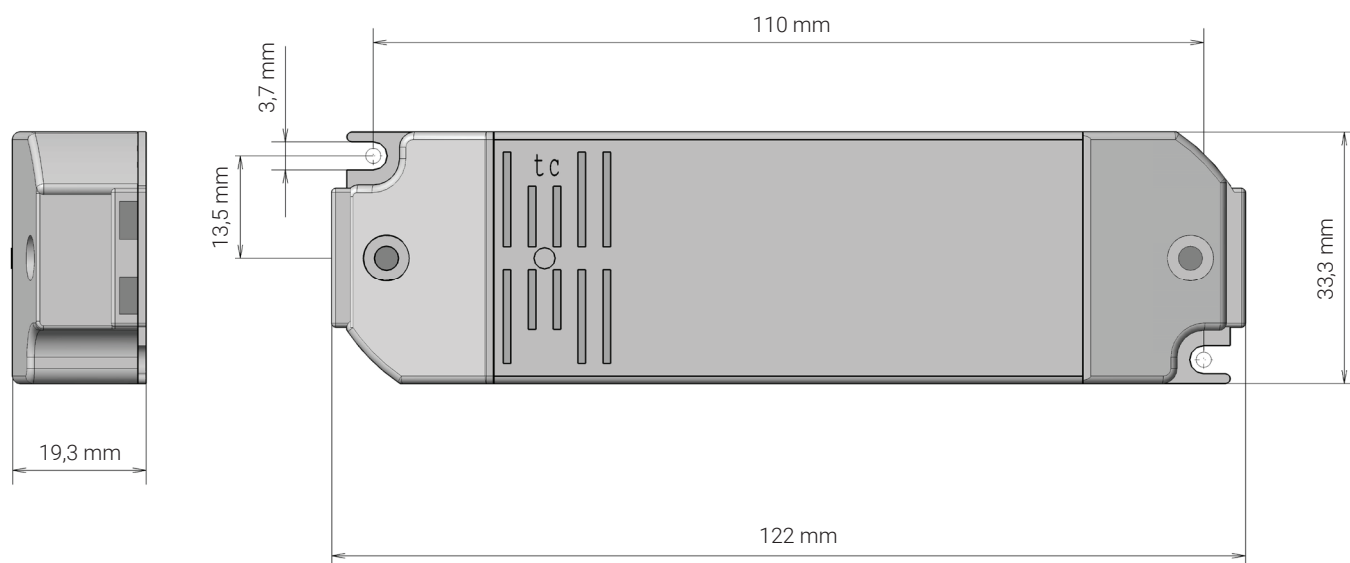
### Modelli | Models

Model	Code	Description
Z-NODE v2	ZQ11-02R0	2.4 GHz BLE/Zigbee to up 4 DALI Wireless Lighting Controller with I/O connector
Z-NODE-32	ZQ11-03R0	2.4 GHz BLE/Zigbee to up 32 DALI Wireless Lighting Controller with I/O connector

### Specifiche tecniche | Technical specifications

Input power Z-NODE v2	Auto sensing between: <ul style="list-style-type: none"><li>Mains 120-230 Vac 50/60 Hz, max 1W</li><li>DALI bus according to D4i specification, max 0.8W, I<sub>max</sub> 50mA</li></ul>
Input power Z-NODE-32	Mains 120-230 Vac 50/60 Hz, max 2W
2.4 GHz Bluetooth radio interface	Bluetooth LE. Output power +10 dBm. Transmission range 10 m line-of-sight. <i>BLE and Zigbee are active at the same time.</i>
2.4 GHz Zigbee radio interface	Zigbee Home Automation protocol. Output power +10 dBm. Transmission range 20 m line-of-sight, extension by Mesh Network. <i>BLE and Zigbee are active at the same time.</i>
DALI interface Z-NODE v2	Control up to 4 DALI driver, broadcast or addressed. DALI2 and D4i compatible. When powered from mains (230Vac) DALI bus is powered.
DALI interface Z-NODE-32	Control up to 32 DALI driver, broadcast or addressed. DALI bus is powered.
Diagnostic LED	Power/Activity
I/O	Connector for external light and motion sensors and diagnostic led
Connector block	Screw terminals. Wire cross section 0,5-2,5 mm <sup>2</sup> (max AWG13)
Input-output insulation	2 kV
Operating Environment	Ambient temperature (ta) -10°C to +50°C. Relative humidity 10% to 90% Max. housing temp. (tc) 65°C. Storage -30°C to +80°C
Housing	Plastic IP20
Dimensions	122 x 33,3 x 19,3 mm
Weight	65 g
Standards & Legislation	Approvals RED 2014/53/EU. EMC directive 2014/30/EU. LV directive 2014/35/EC. RoHS II directive 2011/65/EU, 2015/863/EU. WEEE directive 2012/19/EU  Safety EN 61347-1: 2015; EN61347-2-11: 2001  EMC EN 61000-3-2: 2014; EN 61000-3-: 2013, EN55015: 2013/A1: 2015; EN 61547: 2009 ETSI EN 300-220-2 V3.1.1, ETSI EN 301-489-1 V2.1.1; ETSI EN 301-489-3 V2.1.1

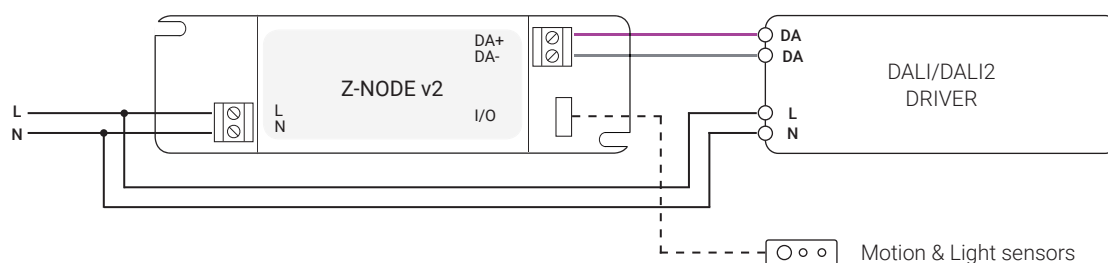
## Dimensioni | Dimensions



## Z-NODE v2

### Cablaggio apparecchi DALI e DALI2 | DALI and DALI2 luminaires wiring

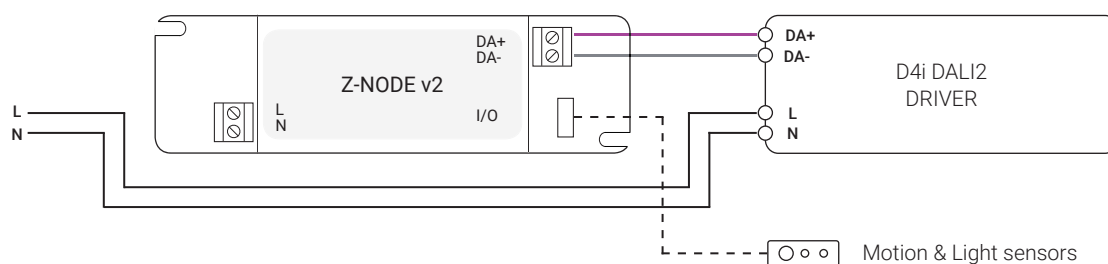
Connessione del modulo di controllo a driver standard DALI e DALI2.  
Connection of the control module to a standard DALI and DALI2 drivers.



## Z-NODE v2

### Cablaggio apparecchi D4i DALI2 | D4i DALI2 luminaires wiring

Connessione del modulo di controllo a driver DALI2 D4i (es. Philips Xitanium SR®, OSRAM DEXAL®, ecc).  
Connection of the control module to a D4i DALI2 drivers (e.g. Philips Xitanium SR®, OSRAM DEXAL®, etc).



## Z-NODE-32

### Cablaggio apparecchi DALI e DALI2 | DALI and DALI2 luminaires wiring

Connessione del modulo di controllo a driver standard DALI e DALI2.  
Connection of the control module to a standard DALI and DALI2 drivers.

