

# Z-DIM

## Wireless single channel 24/48V constant voltage LED dimmer

Dimmer LED singolo canale a tensione costante. Ingresso 24Vdc o 48Vdc, uscita PWM max 11A@24V e 7A@48V. Controllo tramite pulsante. Wireless mesh network 2.4 GHz Bluetooth LE/Zigbee 3.0 compatibile.

*Constant voltage single channel LED dimmer. 24Vdc or 48Vdc input, PWM output max 11A@24V and 7A@48V. Control via push button. 2.4 GHz wireless mesh network Bluetooth LE/Zigbee 3.0 compatible.*



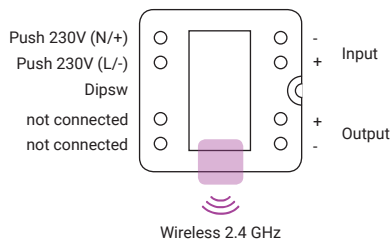
### Modelli | Models

Model	Code	Description
Z-DIM24	ZQ20-04R0	Wireless single channel 24V, 11A constant voltage LED dimmer
Z-DIM48	ZQ20-05R0	Wireless single channel 48V, 7A constant voltage LED dimmer

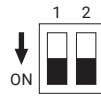
### Specifiche tecniche | Technical specifications

	Z-DIM24	Z-DIM48
Control type	Constant voltage	
Input/Output voltage	24Vdc (Vout=Vin)	48Vdc (Vout=Vin)
Input/Output current	11A	7A
Nominal power	264W	336W
Power loss in standby mode (Psb)	<0,5W	
Power in stand-by mode on the network (Pnet)	<0,5W	
Power loss with no load (Pno)	<0,5W	
Load	Always ON	
Power Factor	λ 0,96	
Energy Efficiency (EE)	98%	
Type of Load	R	
Push button input	230Vac or 24/48Vdc, selection by dipswitch	
2.4 GHz Bluetooth radio interface	Bluetooth LE. Output power +10 dBm. Transmission range 10 m line-of-sight. BLE and Zigbee are active at the same time.	
2.4 GHz Zigbee radio interface	Zigbee Home Automation protocol. Output power +10 dBm. Transmission range 20 m line-of-sight, extension by Mesh Network. BLE and Zigbee are active at the same time.	
Sync	Via Push button and/or Zigbee 3.0 wireless network	
PWM dimming	1 kHz	
Connector block	Input, Output: screw terminals, cross section 1,5-2,5 mm <sup>2</sup> Push: screw terminals, cross section 0,75-1,5 mm <sup>2</sup>	
Operating Environment	Ambient temperature (ta) -20°C to +50°C. Relative humidity 10% to 95%	
Housing	Plastic IP20	
Dimensions	41 x 47 x 20 mm	
Weight	35 g	
Standards & Legislation	Approvals: RED 2014/53/EU. EMC directive 2014/30/EU. LV directive 2014/35/EC. RoHS II directive 2011/65/EU, 2015/863/EU. WEEE directive 2012/19/EU  Safety: EN 61347-1: 2015; EN61347-2-11: 2001  EMC: EN 61000-3-2: 2014; EN 61000-3-: 2013, EN55015: 2013/A1: 2015; EN 61547: 2009 ETSI EN 300-220-2 V3.1.1, ETSI EN 301-489-1 V2.1.1; ETSI EN 301-489-3 V2.1.1	

**Cablaggio | Wiring**



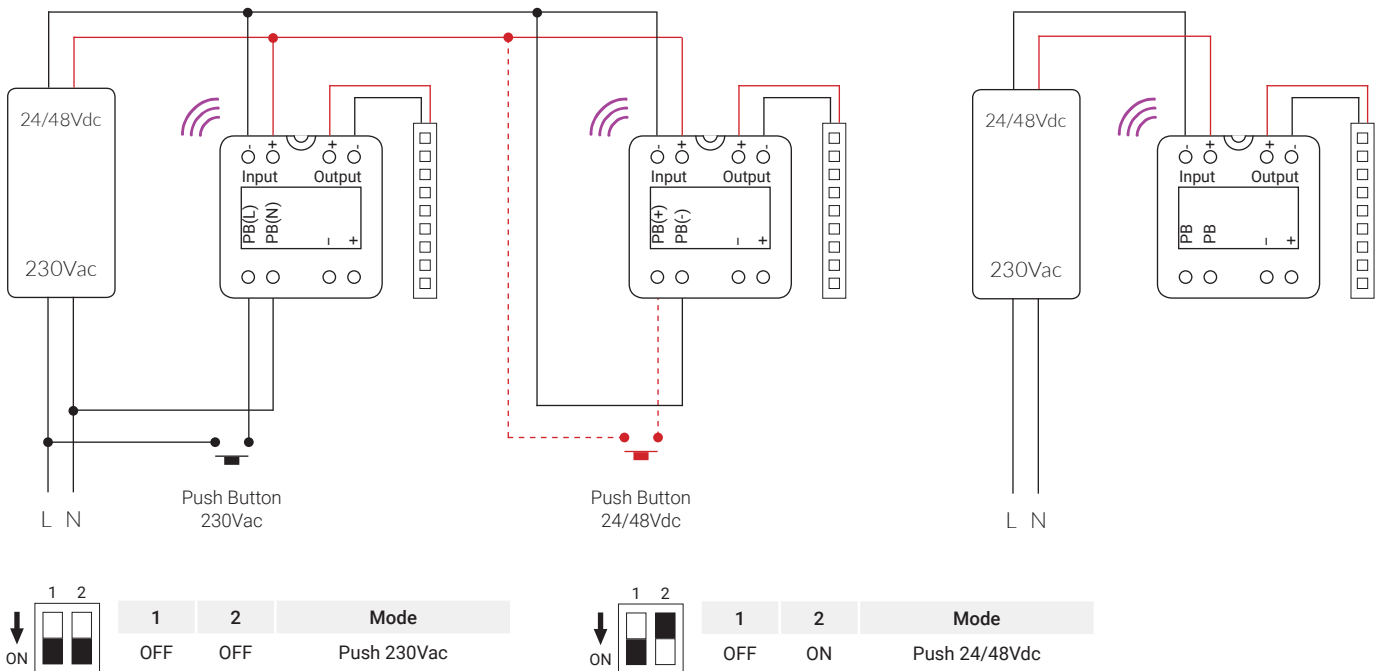
Input selector (Dipsw)



1	2	Mode
OFF	OFF	Push 230Vac
ON	OFF	Push 24/48Vdc

Installare in luogo idoneo e in assenza di tensione, rispettare i dati di targa. Dimensionare i cavi in base al carico. Usare solo alimentatori SELV omologati per la sicurezza elettrica e le prestazioni di potenza adeguata al carico. I collegamenti sono a bassa tensione, rispettare le distanze e gli isolamenti verso le linee a tensione di rete. Impostazioni di fabbrica: ingresso Push 230Vac. Togliere tensione per cambiare impostazione dei dipswitch. Tutte le impostazioni rimangono in memoria anche ad apparecchio spento.

*Install in a suitable place and in the absence of voltage, respect the plate data. Size the cables according to the load. Use only SELV power supplies approved for electrical safety and performance of adequate power for the load. The connections are low voltage, respect the distances and insulation to the mains voltage lines. Factory setting: 230Vac push input ACTIVE. Remove power to change the dipswitch setting. All settings remain stored even when the appliance is switched off.*



Togliere tensione per cambiare impostazione dei dipswitch. Impostare i dipswitch come riportato in tabella.

*Remove power to change the dipswitch setting. Set the dipswitches as shown in the table.*