

# RFxLT

## 868 MHz Long Range Wireless Lighting Controller

Controller wireless Mesh Network 868 MHz Long Range (16 dBm). Gestisce in regolazione da 8 a 32 driver standard DALI (broadcast o indirizzati) o 1/10V, uscita relè a contatto pulito normalmente chiusa (max 500VA). Alimentazione 24Vdc. Grado di protezione IP20 con scheda tropicalizzata. Connettore SMA per antenna esterna (esclusa).

*Long Range (16 dBm) 868 MHz Wireless Mesh Network Controller. Manages in regulation from 8 to 32 standard DALI (broadcast or addressed) or 1/10V driver, dry contact relay normally closed (max 500VA). 24Vdc power supply. IP20 protection degree with tropicalized board. SMA connector for external antenna (not included).*



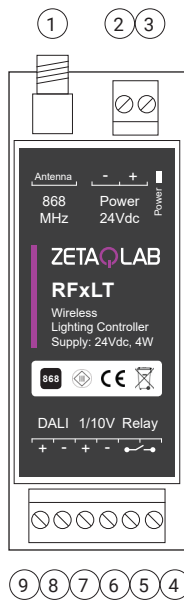
### Modelli | Models

Model	Code	Description
RFxLT8	ZQ10-01R0	868 MHz long range wireless lighting controller - max 8 driver - antenna not included
RFxLT16	ZQ10-02R0	868 MHz long range wireless lighting controller - max 16 driver - antenna not included
RFxLT32	ZQ10-03R0	868 MHz long range wireless lighting controller - max 32 driver - antenna not included

### Specifiche tecniche | Technical specifications

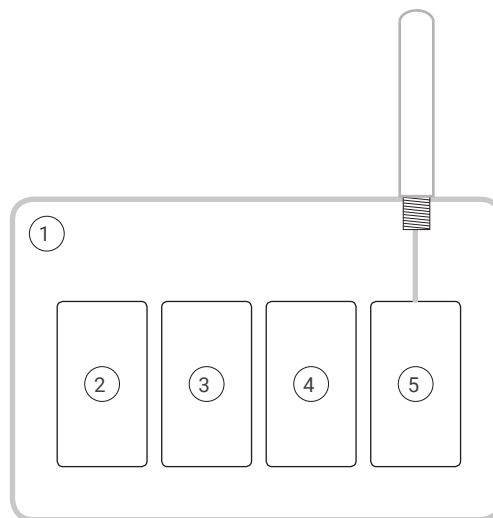
Input power	24 Vdc - 4W
Radio	Frequency 869.4/869.6 MHz. Proprietary protocol (LBT and AFA supported). Output power +16 dBm. Transmission range 500 m line-of-sight, extension by Mesh Network.
Antenna	1 x SMA female for external antenna
DALI interface	Powered for control from 8 to 32 DALI driver (model depending), broadcast or addressed
1/10V interface	Control from 8 to 32 0/10V or 1/10V driver (model depending)
Relay Outputs	Normally closed, rated power 500VA, mechanical endurance 10 <sup>6</sup> ops, electrical endurance 10 <sup>5</sup> ops
Diagnostic LED	Power
Connector block	Screw terminals, wire cross section 0,5-2,5 mm <sup>2</sup> (max AWG13). SMA female connector for external antenna.
Operating Environment	Ambient temperature (ta) -20°C to +65°C. Relative humidity 10% to 90% Max. housing temp. (tc) 70°C. Storage -30°C to +80°C
Housing	Plastic DIN rail 2M, IP20
Dimensions	36 x 90 x32 mm
Weight	65 g
Standards & Legislation	Approvals RED 2014/53/EU, EMC directive 2014/30/EU, LV directive 2014/35/EC, RoHS II directive 2011/65/EU, 2015/863/EU, WEEE directive 2012/19/EU  Safety EN 61347-1: 2015; EN61347-2-11: 2001  EMC EN 61000-3-2: 2014; EN 61000-3-: 2013, EN55015: 2013/A1: 2015; EN 61547: 2009 ETSI EN 300-220-2 V3.1.1, ETSI EN 301-489-1 V2.1.1; ETSI EN 301-489-3 V2.1.1

## Connessioni | Wiring



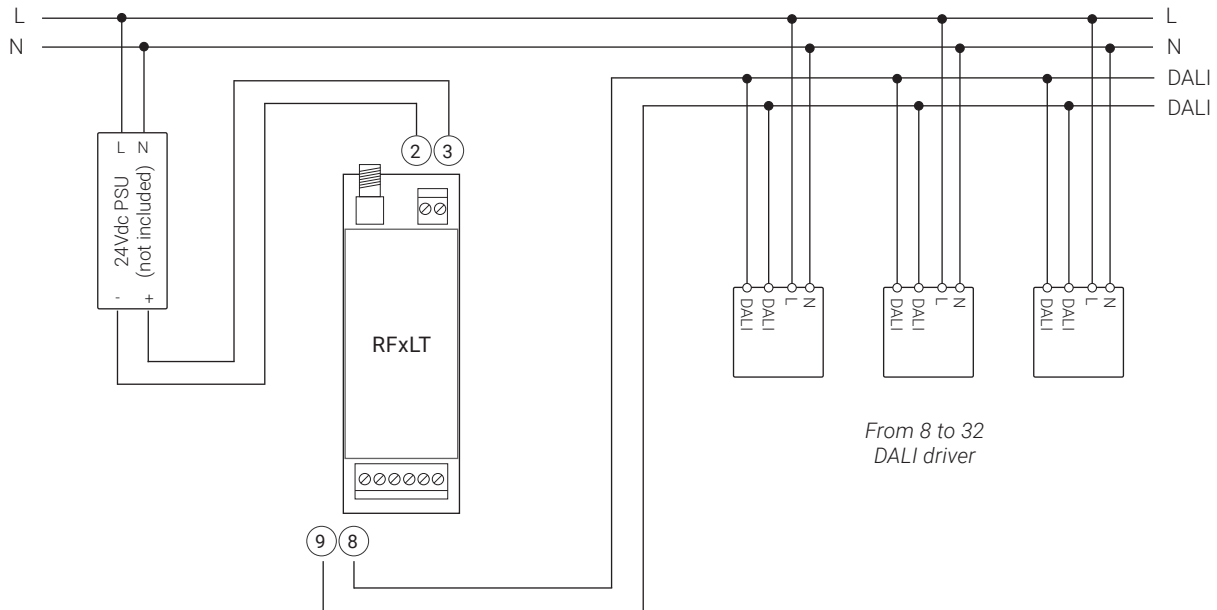
1	868 MHz SMA female connector for external antenna
2	Power GND
3	Power +24Vdc
4	Dry contact Output (Normally Closed)
5	Dry contact Output (Normally Closed)
6	0/10V or 1/10V dimming - (GND)
7	0/10V or 1/10V dimming +
8	DALI dimming - (GND)
9	DALI dimming +

## Outdoor control cabinet design



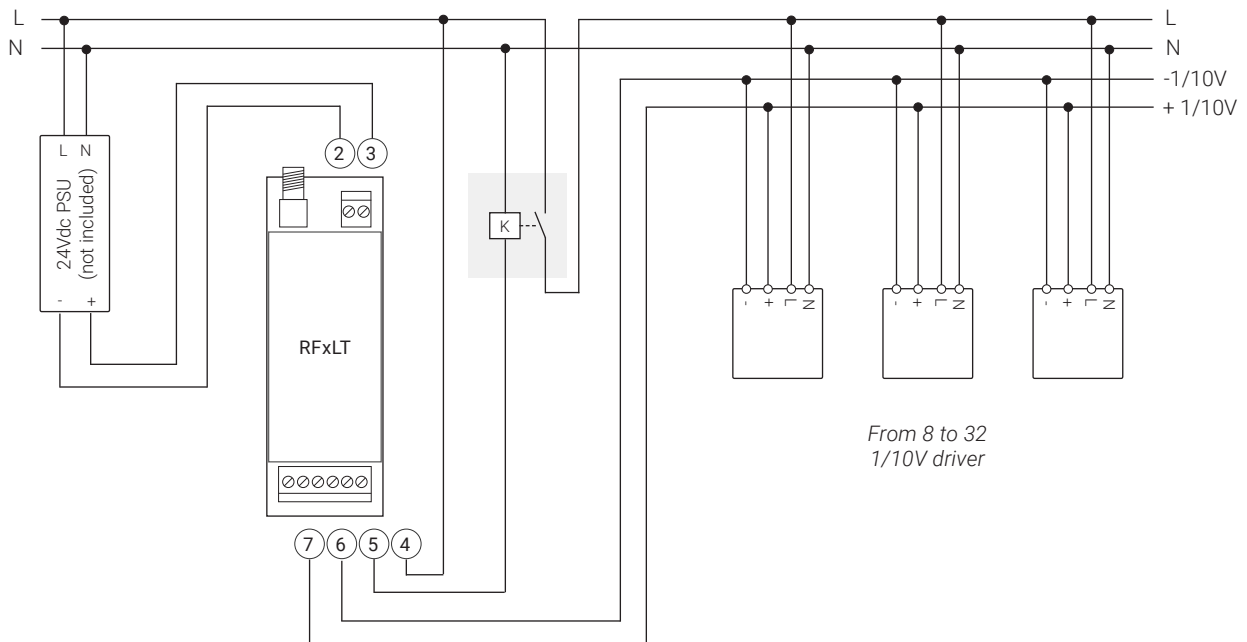
1	IP66/IP67 junction box
2	Electrical protection devices (magnetothermal, fuse, etc.)
3	Voltage dischargers
4	24Vdc power supply (recommended with high overvoltage protection)
5	RFXLT wireless gateway with external antenna IP66+

## Connessioni ad apparecchi DALI | DALI luminaires wiring



Bus DALI: cavo non schermato nè twistato (normale tipo per alimentazione); lunghezza max 300 m con sezione cavo 1,5 mm<sup>2</sup>.  
DALI bus: not shielded and not twisted cable (mains rated); max lenght 300 m with cable section 1,5 mm<sup>2</sup>.

## Connessioni ad apparecchi 1/10V | 1/10V luminaires wiring



Bus 1/10V: cavo non schermato nè twistato (normale tipo per alimentazione); lunghezza max 300 m con sezione cavo 1,5 mm<sup>2</sup>.  
1/10V bus: Not shielded and not twisted cable (mains rated); max lenght 300 m with cable section 1,5 mm<sup>2</sup>.