

DALI-SENSE v3

Wireless DALI multisensor for Office application

Multisensore DALI wireless 2.4 GHz compatibile Zigbee 3.0 e Bluetooth LE. Gestisce fino a 32 driver standard DALI in modalità "broadcast" oppure indirizzata. 1 ingresso digitale. Sensore di luminosità e movimento (Hmax 5m - FOV 106°). Antenna integrata. Alimentazione 230Vac. IP20.

2.4 GHz Mesh Network wireless DALI multisensor Zigbee 3.0 and Bluetooth LE compatible. Manages up to 32 standard DALI drivers in "broadcast" or addressed mode. 1 digital input. Light and movement sensor (Hmax 5m - FOV 106°). Integrated antenna. Power supply 230Vac. IP20.



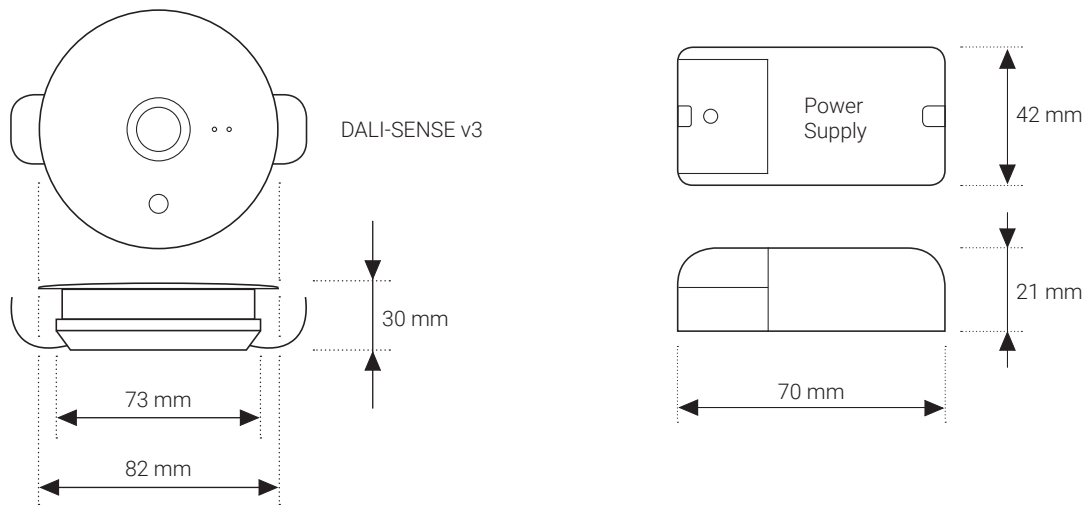
Modelli | Models

Model	Code	Description
DALI-SENSE v3	ZQ04-04R0	Zigbee 3.0 and BLE compatible wireless DALI multisensor - Office version (Hmax 5m - FOV 106°)

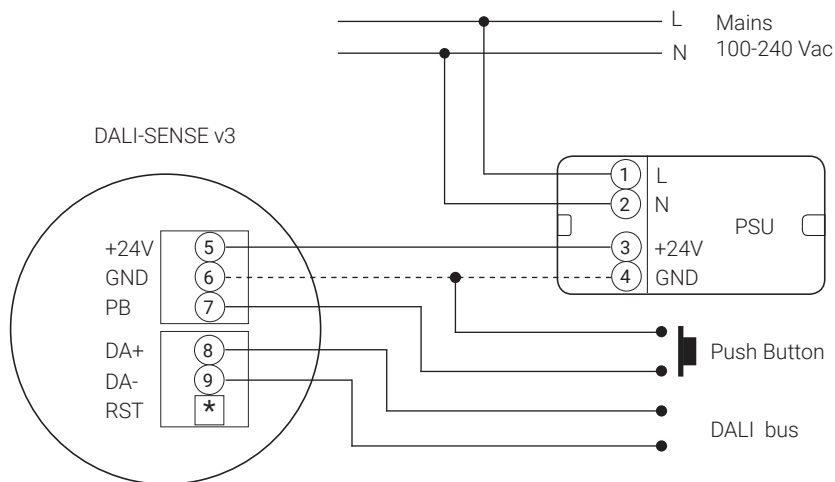
Specifiche tecniche | Technical specifications

Input power	100-240 Vac 50-60 Hz - max 2W
2.4 GHz Bluetooth radio interface	Bluetooth LE. Output power +10 dBm. Transmission range 10 m line-of-sight. <i>BLE and Zigbee are active at the same time.</i>
2.4 GHz Zigbee radio interface	Zigbee 3.0 protocol. Output power +10 dBm. Transmission range 20 m line-of-sight, extension by Mesh Network. <i>BLE and Zigbee are active at the same time.</i>
DALI interface	Powered for control up to 32 DALI driver, broadcast or addressed
Digital Input	n.1 Digital Input (Dry Contact) for push button n.1 Digital Input for Zigbee reset
Movement sensor	Passive InfraRed, Hmax 5m - FOV 106°
Light sensor	Range 5 lux to 500 lux (direct)
Diagnostic LED	Power/Activity
Connector block	Screw terminals. Wire cross section 0,5-2,5 mm ² (max AWG13)
Operating Environment	Ambient temperature (ta) 0°C to +40°C. Relative humidity 10% to 90% Max. housing temp. (tc) 70°C. Storage -20°C to +70°C
Housing	Plastic IP20
Dimensions	See diagram for details
Weight	150 g
Standards & Legislation	Approvals RED 2014/53/EU. EMC directive 2014/30/EU. LV directive 2014/35/EC. RoHS II directive 2011/65/EU, 2015/863/EU. WEEE directive 2012/19/EU Safety EN 61347-1: 2015; EN61347-2-11: 2001 EMC EN 61000-3-2: 2014; EN 61000-3-3: 2013, EN55015: 2013/A1: 2015; EN 61547: 2009 ETSI EN 300-220-2 V3.1.1, ETSI EN 301-489-1 V2.1.1; ETSI EN 301-489-3 V2.1.1

Dimensioni | Dimensions



Connessioni | Wiring



5	+ 24Vdc
6	GND
7	Push Button
8	DALI +
9	DALI -
*	Zigbee Reset button

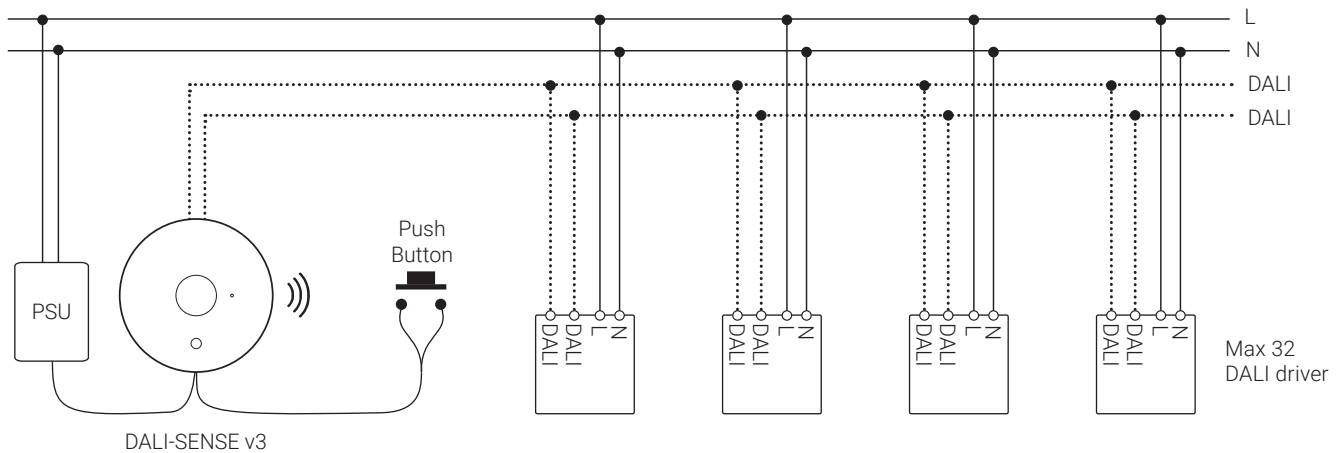
1	L
2	N
3	+ 24Vdc
4	GND

Zigbee Reset button

Tenere premuto per 10 secondi per scollegare il sensore dalla rete Zigbee.

Keep pushed for 10 seconds in order to unjoin the sensor from the Zigbee network.

Connessioni - Apparecchi DALI | Wiring - DALI luminaires

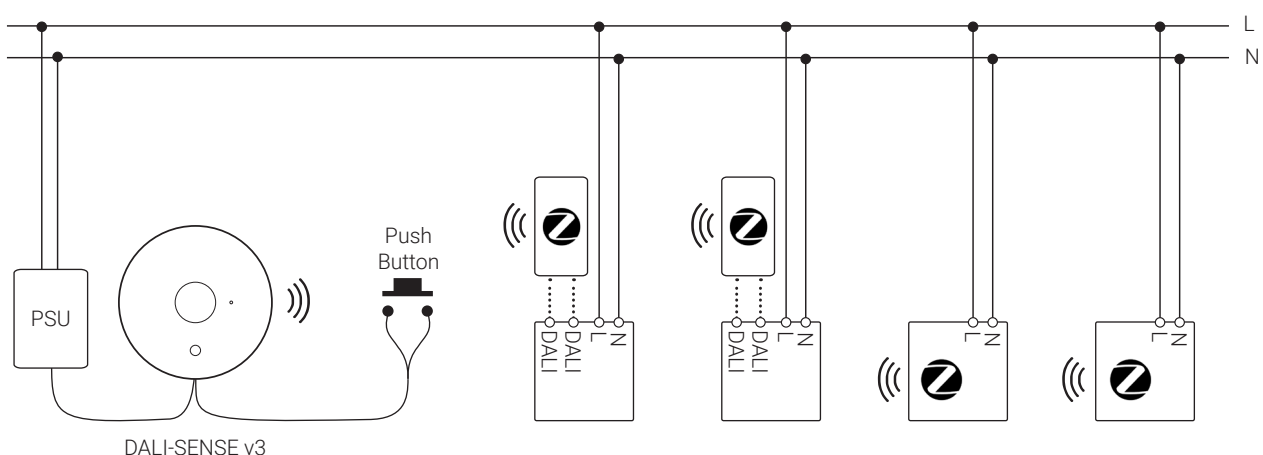


Push Button cable
2x0,75 mm² max 20 m
2x 1,5 mm² max 30 m

DALI bus cable
Cavo non schermato nè twistato (normale tipo per alimentazione).
Not shielded and not twisted cable (mains rated).

Sezione cavo DALI DALI cable section	Lunghezza max DALI DALI max lenght
0,5 mm ²	0 - 100 m
0,75 mm ²	100 - 150 m
1,5 mm ²	150 - 300 m

Connessioni - Apparecchi Zigbee | Wiring - Zigbee luminaires



Push Button cable
2x0,75 mm² max 20 m
2x 1,5 mm² max 30 m

Luminaires with DALI LED driver and Zigbee to DALI wireless gateway (e.g. Z-NODE)

Luminaires with Zigbee LED driver

Sensore di movimento | *Motion sensor*

Prestazioni del sensore riferite a temperatura ambiente di 25°C ed oggetti di dimensioni 70x25 cm (corpo umano) in movimento alla velocità di 1.0 m/s:

- Altezza massima 5m con differenza di temperatura tra il target e lo sfondo di almeno 4°C.
- Zone di rilevazione all'interno del campo visivo: 64.

NOTE

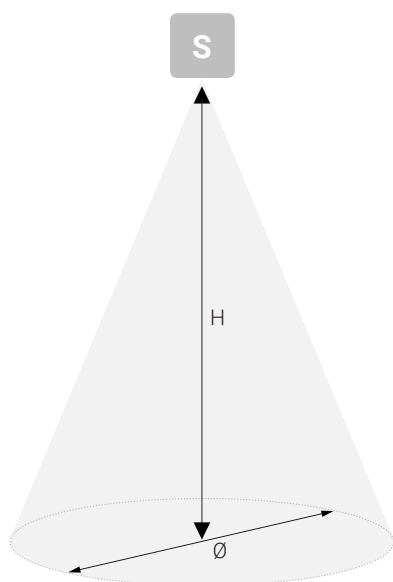
- Temperatura ambiente utilizzabile -20°C..+60°C (non utilizzare in presenza di ghiaccio o condensa).
- Tempo necessario alla stabilizzazione del segnale 10 sec. dallo start-up.

Sensor performance referred to ambient temperature of 25 ° C and objects of size 70x25 cm (human body) moving at a speed of 1.0 m/s:

- Maximum height 5m with temperature difference between the target and the background of at least 4 ° C.
- Detection zones within the field of view: 64.

NOTES

- Usable ambient temperature -20 ° C .. + 60 ° C (do not use in the presence of ice or condensation).
- Time required to stabilize the signal from the start-up 10 sec.



Area di rilevamento Detection Area

Altezza di installazione Installation height	DALI-SENSE v3 (Office)
H	Ø
2,7 m	7,2 m
3 m	8,0 m
3,5 m	9,3x m
4 m	10,6 m
4,5 m	11,9 m
5 m	13,3 m

Software | *Software*

DALI-SENSE v3 può essere configurato tramite l'App **Light360 Setup**, disponibile per dispositivi mobile Apple ed Android.

*DALI-SENSE v3 can be configured via the **Light360 Setup** App, available for Apple and Android mobile devices.*

